



ZHONGSHAN XILE OPTOELECTRONIC TECHNOLOGY CO.,LTD.



Details

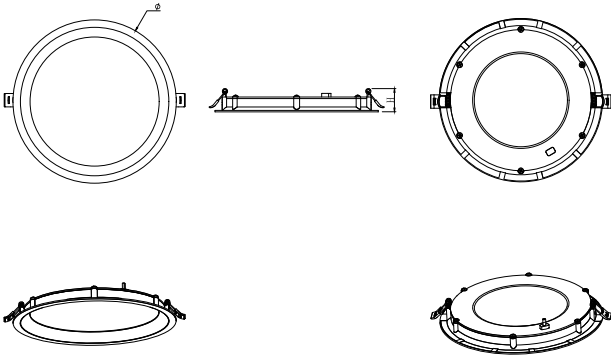
Datasheet- Small Panel Light Athena I Series



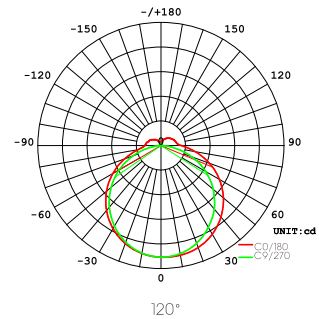
PARAMETERS:

| Model No | XLAGR-6W | XLAGR-10W | XLAGR-15W | XLAGR-22W |
|--------------|------------|------------|------------|-------------|
| Power | 6W | 10W | 15W | 22W |
| Efficacy | 70LM/W | 85LM/W | 90LM/W | 95LM/W |
| Power Factor | 0.5/0.9 | | | |
| CRI | 70/80 | | | |
| Beam Angle | 120° | | | |
| LED | SMD2835*30 | SMD2835*50 | SMD2835*75 | SMD2835*100 |
| Size (mm) | Φ90*18 | Φ120*18 | Φ170*18 | Φ225*18 |
| Cutout(mm) | Φ75 | Φ110 | Φ155 | Φ200 |

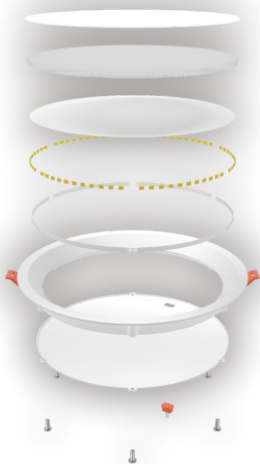
DIMENSIONS



LIGHTING DISTRIBUTIONS



EXPLODE



APPLICATIONS

