



# ZHONGSHAN XILE OPTOELECTRONIC TECHNOLOGY CO.,LTD.



Details

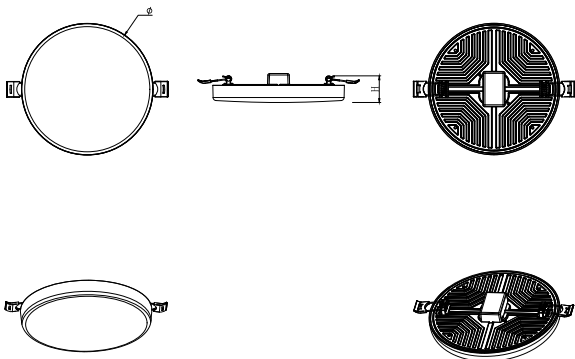
## Datasheet- Small Panel Light Zeus II-(Multifunctional)



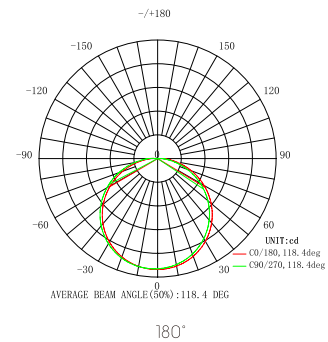
### PARAMETERS:

Model No	XLRPR-10W	XLRPR-15W	XLRPR-22W	XLRPR-32W
Power	10W	15W	22W	32W
Efficacy	110LM/W	110LM/W	110LM/W	120LM/W
Power Factor	0.5/0.9			
CRI	70/80			
Beam Angle	180°			
LED	SMD2835*63	SMD2835*96	SMD2835*144	SMD2835*225
Diameter(mm)	Φ100*15	Φ120*15	Φ170*15	Φ220*15
Hole size(mm)	55MM<CUT<70MM	55MM<CUT<95MM	55MM<CUT<140MM	55MM<CUT<190MM

### DIMENSIONS



### LIGHTING DISTRIBUTIONS



### EXPLODE



### APPLICATIONS

